

GalvinSafe[®] Drench Shower, Wall Mounted, Pull Rod, Axion[®] MSR ABS Shower (HAWS)

PRODUCT CODE:

Galvin Engineering: 190.41.12.12

HAWS: 8123-A



PRE - INSTALLATION

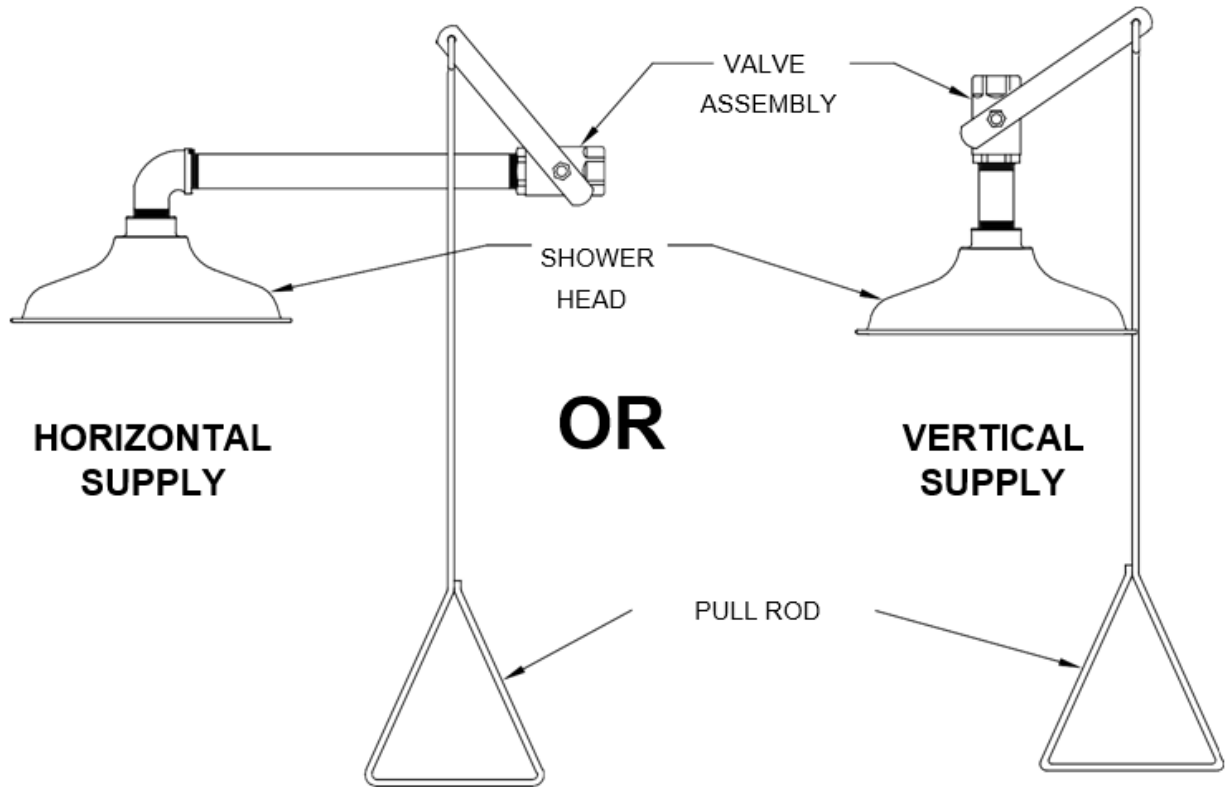
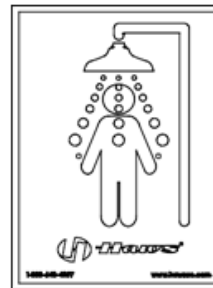
LOCATION OF UNIT: The Model 190.41.12.12 (8123-A) Emergency Shower should be installed in close proximity to potential accident areas. It should be clearly identified, free from obstructions and easy to access.

SUPPLY LINE: The minimum recommended line size is 1" BSP with 210 – 600 kPa flowing pressure. Where sediment or mineral content is a problem, an inlet filter is recommended.

PLUMBING CONNECTIONS: Inlet supply is male 1" BSPT.

INSTALLATION

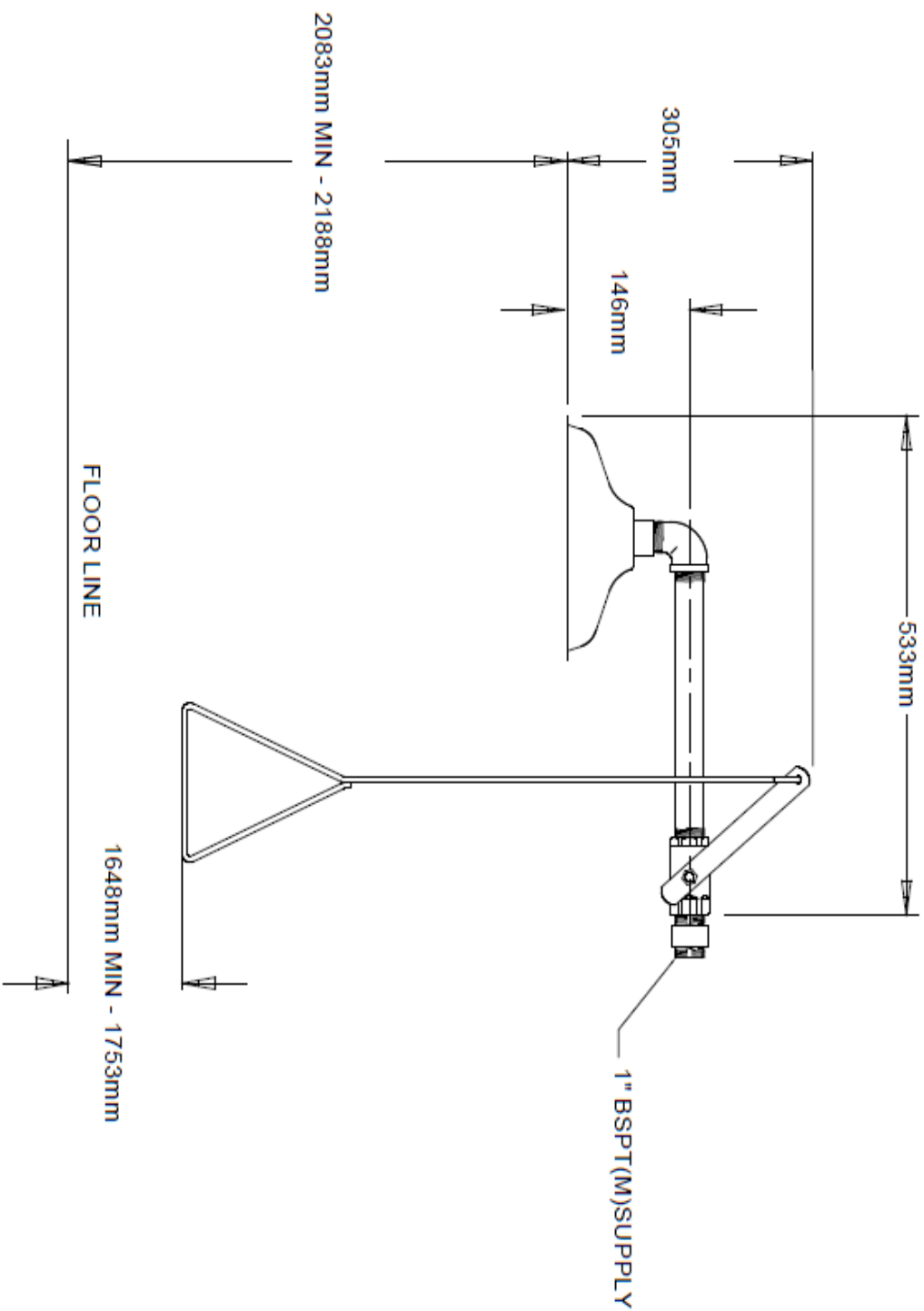
Refer to installation drawing to clarify installation procedure.

PARTS BREAKDOWN

 SP170
 TEST TAG

 SP177
 SHOWER SIGN

ITEM CODE	ITEM DESCRIPTION
190.91.80.33	TEST TAGS
190.92.30.20	PULL ROD
190.92.04.30	VALVE ASSEMBLY
190.92.00.10	SHOWER HEAD
-	SP177 SHOWER SIGN*

*spare part will require special order or may not be available (contact Galvin engineering for more details).

HORIZONTAL SUPPLY (STANDARD)



NOTES:

1. WHEN INSTALLING THIS UNIT, LOCAL, STATE, OR FEDERAL CODES SHOULD BE ADHERED TO FOR INSTALLATION DIMENSIONS (LOCATIONS), WASTE AND SUPPLY REQUIREMENTS OTHER THAN SHOWN.
2. TO COMPLY WITH AS 4776:
 - SHOWER SHALL BE POSITIONED SUCH THAT SHOWER HEAD IS NO LESS THAN 2083mm AND NO GREATER THAN 2438mm FROM SURFACE ON WHICH USER STANDS.
 - SHOWER SPRAY PATTERN SHALL HAVE A MINIMUM DIAMETER OF 508mm AT 1524mm ABOVE SURFACE ON WHICH USER STANDS, AND CENTER OF SPRAY PATTERN SHALL BE LOCATED NO LESS THAN 406mm FROM NEAREST OBSTRUCTION.
3. DIMENSIONS MAY VARY ±13mm.

DISTRIBUTED BY:

GalvinEngineering
the mark of reliability
 410 VICTORIA RD MALAGA WA
 ABN:78 008 719 362
 +61 8 9338 2344 FAX: +61 8 9338 2340
 EMAIL: sales@galvinengineering.com.au
 WEBSITE: www.galvinengineering.com.au

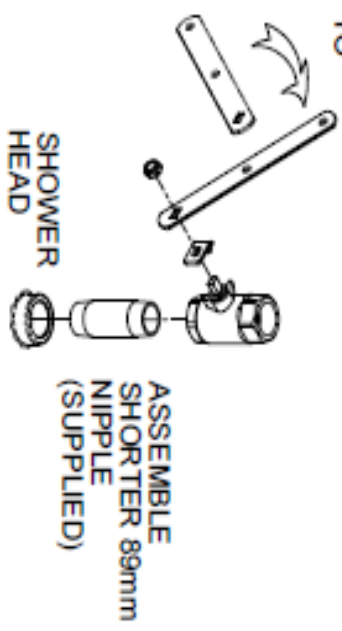


TECHNOLOGICAL PERIOD	MODEL(S)	190.41.12.12 (8123-A)	PART NUMBER
DRAWN: ECHL 5/98	REV: 1		0002080120.D
DATE: CHN/D			REVISION:
TRF: SMMT JP			15
APPROVED: DATE:			
M/I: 1023/18	SCALE: NA	DRAWING TYPE: INSTALLATION	SIZE: A SHEET 1 OF 2

**FOR VERTICAL SUPPLY
(RECONFIGURE AS SHOWN)**

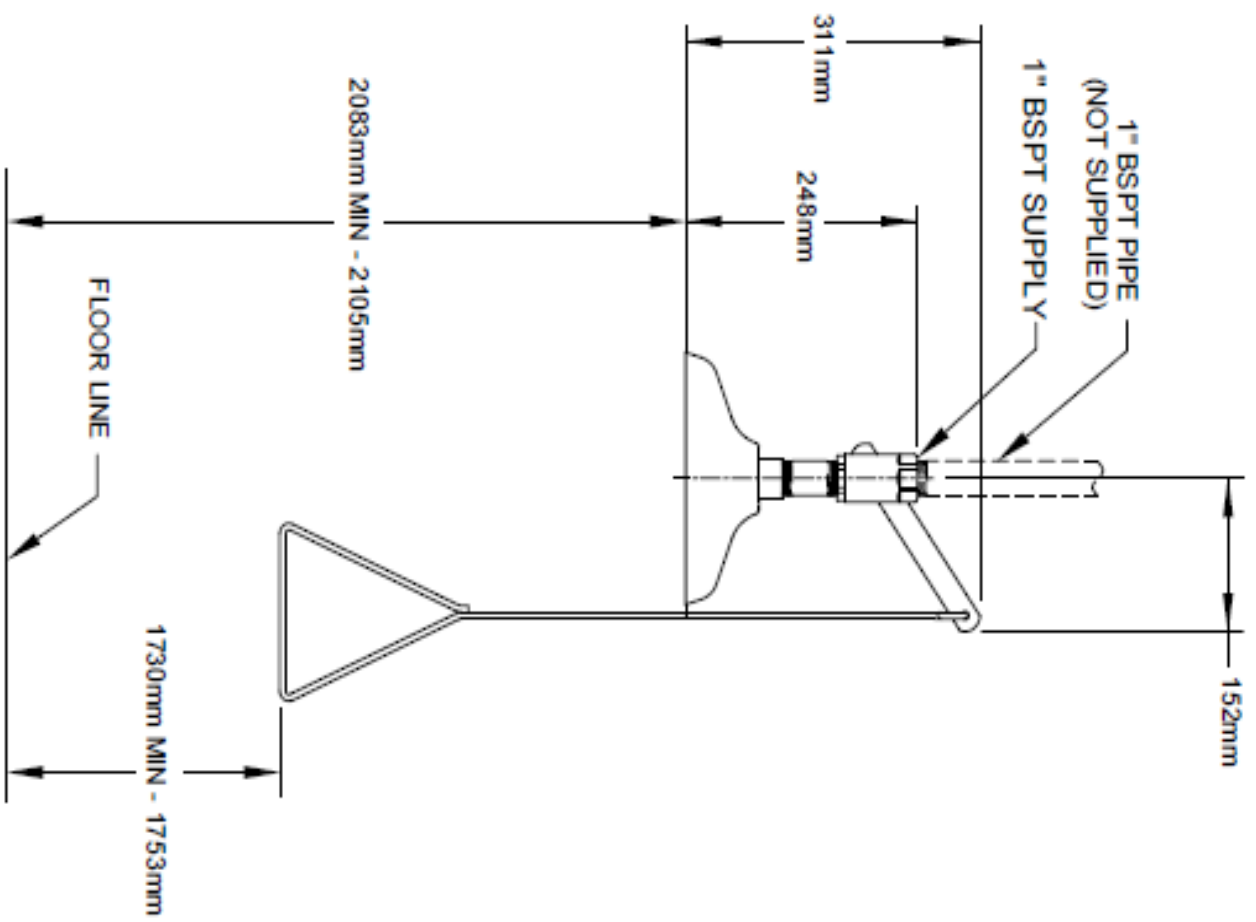


REMOVE
HANDLE, FLIP
COMPLETELY TO
OTHER SIDE.
REATTACH.



NOTES:

1. WHEN INSTALLING THIS UNIT, LOCAL, STATE, OR FEDERAL CODES SHOULD BE ADHERED TO FOR INSTALLATION DIMENSIONS (LOCATIONS), WASTE AND SUPPLY REQUIREMENTS OTHER THAN SHOWN.
2. TO COMPLY WITH AS 4775:
 - SHOWER SHALL BE POSITIONED SUCH THAT SHOWER HEAD IS NO LESS THAN 2083mm AND NO GREATER THAN 2498mm FROM SURFACE ON WHICH USER STANDS.
 - SHOWER SPRAY PATTERN SHALL HAVE A MINIMUM DIAMETER OF 808mm AT 1524mm ABOVE SURFACE ON WHICH USER STANDS, AND CENTER OF SPRAY PATTERN SHALL BE LOCATED NO LESS THAN 408mm FROM NEAREST OBSTRUCTION.
3. DIMENSIONS MAY VARY BY 13 mm.



DISTRIBUTED BY:

GalvinEngineering
the mark of reliability

410 VICTORIA ROAD WILKIN, WA
ASB 79 030 719 312
ASB 79 030 2344 FAX: 461 8 9338 2340
EMAIL: sales@galvinengineering.com.au
WEBSITE: www.galvinengineering.com.au

Haws

SEARCH FOR PART NUMBER BY MODEL(S)
190,4,1,12,12 (8123A)

DESCRIPTION GALVANNE DRENCHSHOWER, WALL MOUNTED, FULL ROOF, W/DRUMMERABLE SHOWER HEAD(S)

PART NUMBER 0002080120.0
REVISED 15

SIZE A SHEET 2 OF 2

TROUBLESHOOTING	
PROBLEM	REPAIR CHECKLIST
1. No Flow.	1. Check the main shut-off valve.
2. Insufficient water flow	2. a. Verify minimum 210 kPa flowing supply line pressure b. Probable clogging of flow control due to inadequate line flushing. Unscrew showerhead off of elbow and clean rubber flow control.

For more information about GalvinSafe® (Haws) products, see our website.

WARRANTY

The warranty set forth herein is given expressly and is the only warranty given by the Galvin Engineering Pty Ltd. With respect to the product, Galvin Engineering Pty Ltd makes no other warranties, express or implied. Galvin Engineering Pty. Ltd. hereby specifically disclaims all other warranties, express or implied, including but not limited to the implied warranties of merchantability and fitness for a particular purpose.

Galvin Engineering Pty Ltd products are covered under our manufacturer’s warranty available for download from www.galvinengineering.com.au Galvin Engineering Pty Ltd expressly warrants that the product is free from operational defects in workmanship and materials for the warranty period as shown on the schedule in the manufacturer’s warranty. During the warranty period, Galvin Engineering will replace or repair any defective products manufactured by Galvin Engineering without charge, so long as the terms of the Manufacturer’s warranty are complied with.

The remedy described in the first paragraph of this warranty shall constitute the sole and exclusive remedy for breach of warranty, and Galvin Engineering Pty Ltd shall not be responsible for any incidental, special or consequential damages, including without limitation, lost profits or the cost of repairing or replacing other property which is damaged if this product does not work properly, other costs resulting from labour charges, delays, vandalism, negligence, fouling caused by foreign material, damage from adverse water conditions, chemical, electrical or any other circumstances over which Galvin Engineering has no control. This warranty shall be invalidated by any abuse, misuse, misapplication, improper installation or improper maintenance or alteration of the product.